

# Cabinets for Traffic Management

## Battery Back-Up System (BBS) Cabinet

---

### What, exactly, is the BBS Cabinet?

A stable supply of power is a critical element for reliable traffic signal operations especially during power disruptions. Battery backup systems (BBS) are designed to maintain traffic signal operations during power disruption. BBS uninterruptable power systems (UPS) help ensure intersection safety and equipment protection from power surges and outages.

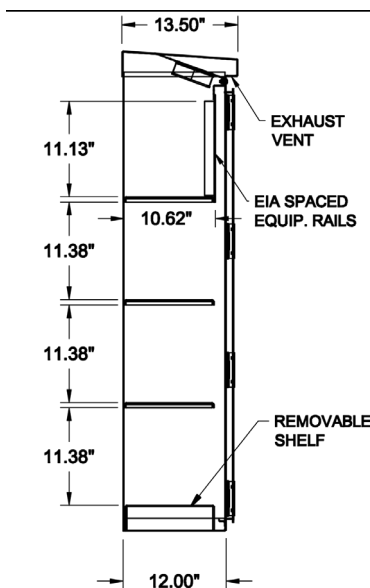
### Why do agencies use the BBS cabinet?

Econolite's Safetran ruggedized BBS is a customizable true online, double-conversion design with power factor correction to meet the transportation applications and extreme temperature environments as specified by Caltrans to ensure public safety. It is designed for extended run times, and features temperature-compensated charging to maximize battery life.

### How does the BBS cabinet benefit the driving public?

The Safetran ruggedized BBS helps ensure signalized intersections continue to function during utility power disruptions. This ensures safety for the driving public and emergency responders even during the hazardous conditions of power outages.





## Basic Specifications

- Dimensions
  - 56 in. H x 26 in. W x 12 in. D
- Material
  - Aluminum 0.125 in.
- Ship Weight
  - 100 lbs
- Finish
  - Anodized, bare, painted, or anti-graffiti

