



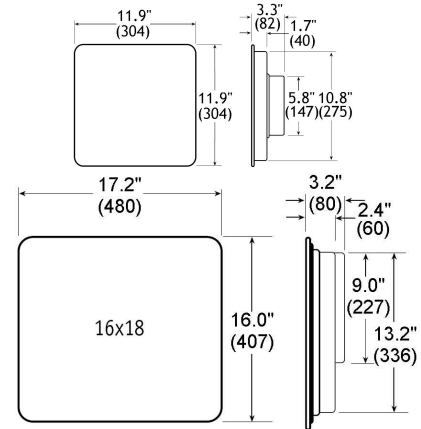
LED COUNTDOWN PEDESTRIAN SIGNAL MODULES

1 Features & Benefits

- High efficiency & long life LED light source
- Failure of a single LED in the Hand and Person icons results in loss of light from only that LED
- Built-in redundancy in countdown module will ensure legibility of signal at the failure of an LED
- Automatically adjusts to the programmed intervals of the traffic controller
- Moisture and dust resistant
- Direct retrofit design
- Programmed software to recognize preemption and pedestrian recycling available in certain models

2 Mechanical Outline

Dimensions in inches. (mm) indicates metric equivalent



3 Design Qualification Testing

Test Type	Compliance
Chromaticity	ITE PTCSH-STD Part 2
Moisture Resistance	NEMA STD 250 Type 4 - 1991
Mechanical Vibration	MIL-STD-883 Method 2007
Electronic Noise	FCC Title 47 Sec 15 Sub. B ¹
Transient Voltage Protection	ITE PTCSH-STD Part 2
Controller Compatibility	NEMA TS-2-1992
Wiring	National Electric Code

¹Class A

4 General Specifications

Parameter	Rating
Operating Temperature Range	-40 to +74° C (-40 to +165° F)
Operating Voltage Range	80 to 135 V (60Hz AC)
Power Factor (PF)	> 90 %
Total Harmonic Distortion (THD)	< 20 %
Voltage Turn-Off (VTO)	45 V
LED Color	Hand: Portland Orange Person: Lunar White Countdown: Portland Orange
Lens & Shell Material	UV Stabilized Polycarbonate

5 Product Characteristics

Model Number	Dimensions		Operating Mode	Symbol			AC Voltage	Nominal Power (W)			Figure
	Inches	mm		Hand	Person	Countdown		Nominal	Hand	Person	
PS7-CFF1-01A-18 ²	16x18	407 X 450	Clearance	Full	Full	2 Rows / 9" high	120V - 60Hz	9	8	4	A
PS7-CFF1-01A-FL	16X18	407 X 450	Clearance	Full	Full	2 Rows / 7" high	120V - 60Hz	9	8	4	B
PS7-CFF1-01A	16x18	407 X 450	Clearance/Full	Full	Full	2 Rows / 7" high	120V - 60Hz	9	8	4	B
PS6-PFD2-01A-FL	12x12	300 X 300	Clearance	—	—	2 Rows / 7" high	120V - 60Hz	—	—	4	C
PS6-PFD2-01A	12x12	300 x 300	Clearance/Full	—	—	2 Rows / 7" high	120V - 60Hz	—	—	4	C
PS6-PFD2-01A-18 ²	12x12	300 X 300	Clearance	—	—	2 Rows / 9" high	120V - 60Hz	—	—	4	D

² Full MUTCD Compliance

