

RX11 LED Signal Modules

8 and 12 inch

Features, Benefits and Values

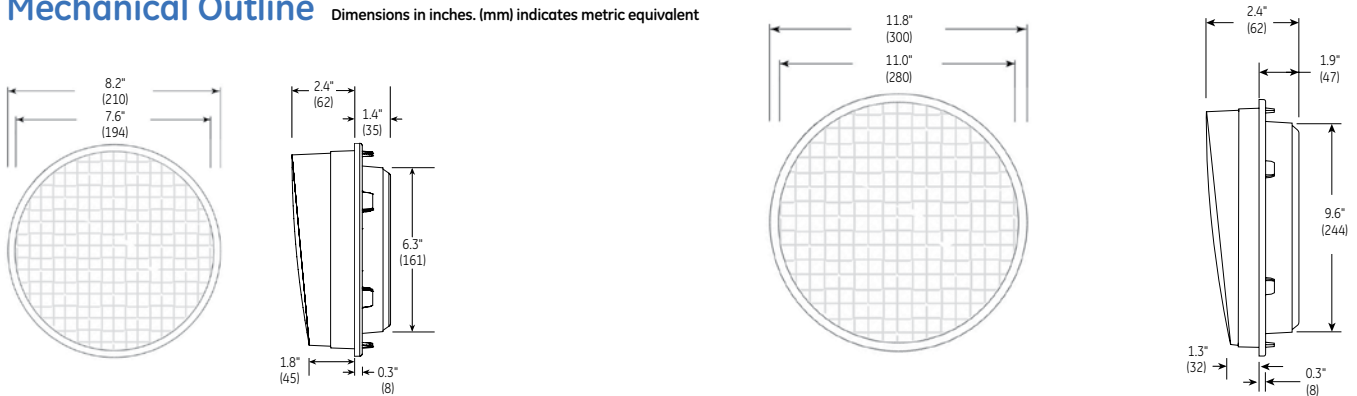
- High efficiency & long life LED light source
- Designed to conform to applicable ITE specifications
- Failure of single LED results in loss of light from only that LED
- UV stabilized shell
- Moisture and dust resistant
- Direct retrofit design
- Incandescent look
- Sun phantom protection
- All products shipped with installed gasket
- EPACT 2005 compliant



RX11 LED Signal Modules

- 8 and 12 inch

Mechanical Outline Dimensions in inches. (mm) indicates metric equivalent



Design Compliance

Test Type	Compliance
Luminous Intensity	ITE VTCSH-STD Part 2 - July 1998
Chromaticity	ITE VTCSH-STD Part 2 - July 1998
Moisture Resistance	NEMA STD 250 Type 4 - 1991
Mechanical Vibration	MIL-STD-883 Method 2007
Electronic Noise	FCC Title 47 Sub. B Sec 15 ¹
Transient Voltage Protection	ITE VTCSH-STD Part 2 - July 1998
Controller Compatibility	NEMA TS-2-1992
Wiring	NFPA 70, National Electric Code

Operating Specifications

Parameter	Rating
Operating Temperature Range*	-40 to +74°C (-40 to +165°F)
Operating Voltage Range	80 to 135 V (60Hz AC)
Power Factor (PF)	> 90 %
Total Harmonic Distortion (THD)	< 20 %
Voltage Turn-off (VTO)	45 V
Lens & Shell Material	UV Stabilized Polycarbonate
Wiring	16 AWG, Color Coded with Strain Relief

* Operating Temperature Range per ITE VTCSH-STD Part 2 - July 1998.

Product Information

Model Number	Size (in)	AC Voltage	Power (W)	Wavelength (nm)	Maintained Intensity (Cd)
		Nominal	Nominal	Dominant	Minimum ²
● DR4-RTFB-20A	8	120V - 60 Hz	5	626	133
● DR4-YTFB-20A	8	120V - 60 Hz	14	589	267 ³
● DR4-GTFB-20A	8	120V - 60 Hz	5.5	508	267
● DR4-GCFB-20A	8	120V - 60 Hz	5.5	508	267
● DR6-RTFB-20A ⁴	12	120V - 60 Hz	10	626	339
● DR6-YTFB-20A	12	120V - 60 Hz	22	589	678 ³
● DR6-GTFB-20A	12	120V - 60 Hz	12	508	678
● DR6-GCFB-20A	12	120V - 60 Hz	12	508	678

Options :

- Q : Quick Connect (for DR6 only)

Standard product equipped with spade connectors.

¹ Class A

² Measured at +2.5°H -2.5°V, T₀ = 25°C.

³ Actual intensity less than ITE VTCSH-STD Part 2 - July 1998.

⁴ May exceed maximum intensity of ITE VTCSH-STD Part 2 - July 1998.

Distributed by:



GE Lighting Solutions • 1-888-MY-GE-LED • www.gelightingsolutions.com
1 - 8 8 8 - 6 9 - 4 3 - 5 3 3

GE Lighting Solutions is a subsidiary of the General Electric Company. The GE brand and logo are trademarks of the General Electric Company.
© 2010 GE Lighting Solutions. Information provided is subject to change without notice. All values are design or typical values when measured under laboratory conditions.

TRAF015-R120110