

Safetran Battery Back-Up System



▶▶ The BBS Cabinet is used for housing batteries and/or battery back-up systems which include inverter/charger units, power transfer relays, manually-operated bypass switches, and all wiring and harnesses.

About the BBS Cabinet

It is well understood that one of the most critical components of a signalized intersection is the traffic control cabinet. The traffic cabinet houses the signal controller and other vital intersection electronic equipment that manages traffic flow and ensures safety for all roadway users.

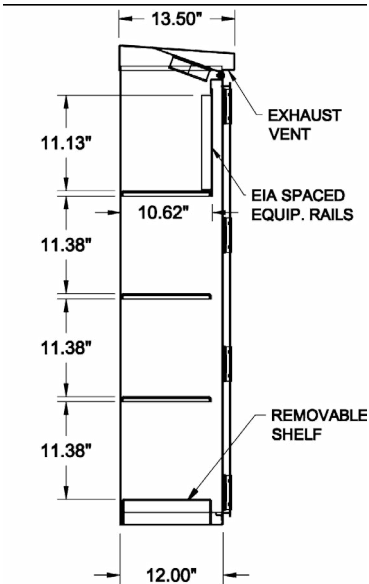
Safetran (an Econolite Group company) has provided more than three decades of leading innovation and service through close alignment with its customers and the industry. Safetran's focus, along with its people and their experience, in providing traffic management solutions for New York Department of Transportation (NYDOT), California Department of Transportation (CalTrans), Federal Highway Administration (FHWA), and Transportation Electrical Equipment Specifications (TEES) projects and standards is unequalled in the industry.

As a result, Safetran provides an ideal combination of specification- and customer-driven cabinet solutions to the traffic industry with unparalleled factory support and service.

At A Glance

- ▶ Meets Caltrans requirements
- ▶ Single front door
- ▶ Mounted to the side of the cabinet or independently base-mounted
- ▶ Three-point locking system
- ▶ Suited for batteries, inverter, and accessories
- ▶ 0.125-inch thick aluminum





Basic Specifications

- ▷ Dimensions
 - 56 in. H x 26 in. W x 12 in. D
- ▷ Material
 - Aluminum 0.125 in.
- ▷ Ship Weight
 - 100 lbs
- ▷ Finish
 - Anodized, bare, painted, or anti-graffiti

