

# Viper H.264 HD30L

High Definition

## NEW: All Aluminum Housing and PoE++ Power

Reliable  
Durable  
Light Weight  
Energy Wise  
Low Maintenance  
Exceptional Customer Service  
Versatile for use in any application  
Easily enhance your current system with the Viper Camera  
Advanced window glass technology eliminates need for a wiper



## H.264 Series Features:

0.05° preset repeatability accuracy  
Continuous 360° rotation in both axes  
85-265VAC, PoE++  
Hydrophilic "self cleaning" glass window  
Wide Dynamic Range (WDR), Electronic Image Stabilization, and DeFog  
H.264/MPEG-4/MJPEG video encoding  
Optional camera enclosure pressurization  
ENG Option - locks pan/tilt motion during vehicle travel  
Optional RS422-485 control (with composite analog video)



[www.gotowti.com](http://www.gotowti.com)

An ISO 9001 Certified Company

2064 Eastman Avenue, Suite 113 Ventura, CA 93003-7787  
office 805/336.9696 fax 805/339.0932

R0720

# Viper H.264 High Definition

## POSITIONER

Pan/Tilt Drive	Pan Angle Range: continuous 360° Tilt Angle Range: continuous 360° Pan Speed: 100°/sec., proportional to zoom Tilt Speed: 100°/sec., proportional to zoom Pan/Tilt Repeatability: 0.05°
Preset	64 preset positions
Title Generation	18 rows of 70 characters using default font and Logo Overlays
Tours	8 tours of 32 presets with individual dwell settings per preset
Protocol	ONVIF, Pelco-D, COHU, NTCIP, Bosch, Diamond, FAST, WTI
Firmware	Field upgradeable flash memory

## MECHANICAL

Weight	14.5 lbs. (6.5Kgs)
Vibration (less Lens)	3g (rms) random 5 to 1000Hz, any axis
Air Contaminants	Withstands exposure to sand, dust, fungus, salt atmosphere, per MIL-E-5400T, Paragraph 3.2.24.7, 3.2.24.8, and 3.2.24.9

## ELECTRICAL

Power Input	85-265 VAC, 50/60 Hz, or PoE++
Power Consumption (with heater on)	50W

## ENVIRONMENTAL

Ambient Temp.	-40° F to +165° F (-40° C to +74° C), conforms to NEMA 2.1.5.1 std. TS2 for traffic control systems
Humidity	100% relative humidity
Protection Rating	IP-68/NEMA-4X/ASTM-B117 (entire camera)

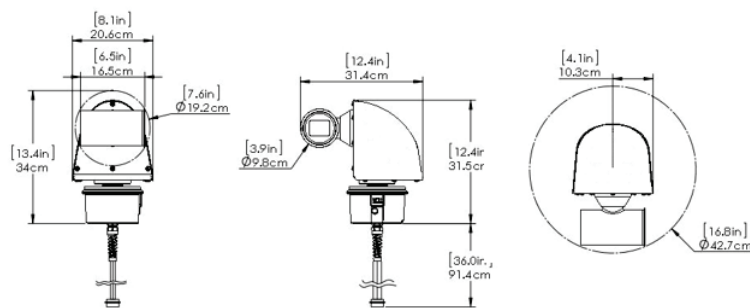
## CAMERA

Imager	1/2.8" Exmor CMOS 2.14 Megapixel
Resolution	1080p/720p
Lens	30x optical zoom, F1.6 to F4.7 with 12x digital zoom
Focal Length	4.3 mm ~ 129 mm
S/N Ratio	>50dB
Sensitivity	On/Off High Mode: On 0.01 lux High Mode: Off 0.10 lux
Iris	Auto or Manual Override
Shutter	Auto or Manual Override 1 second to 1/10,000 second
Focus	Auto or Manual Override
Electronic Image Stabilization (EIS)	On/Off
Wide Dynamic Range (WDR)	Off/On
DeFog	Off/On

## H.264/MPEG-4/MJPEG ENCODING ENGINE

Video Encoding	H.264 (Baseline, Main, High Profile, up to level 4), MPEG-4, and MJPEG Standards
Image Resolution	D1, VGA, HVGA, QVGA, 2CIF
Video Stream	Seven independent stream configurations
Streaming Mode	CBR or VBR
Image setting	GOP (M,N), Quality Value
Frame Rate	30, 15, 7, 4, 2, 1 (M, N)
Data Rate	Adjustable from 64K to 12Mbps in VBR mode and 64K to 16Mbps in CBR mode
Connection Types	Uni-cast or Multi-cast
Network Protocol Layers	RTP, RTSP, UDP, TCP, IP, HTTP, IGMPv2, ICMP, ARP, SNMP, V3, RADIUS KEY, TACACS+, HTTPS, IPv4, DHCP, NTP, IEEE 802.1x, Ethernet 802.3u, and TELNET as a minimum

Bottom Egress



Side Egress

