

## Autoscope® Vision Camera Mounting Bracket Mast Arm or Pole (Model: AMBKT16S)

The Autoscope® Vision camera mounting bracket (part number 33406P23) is a high tensile aluminum-alloy clamp kit to provide strength with maximum adjustability and complete clamping versatility. Manufactured by Pelco Products, Inc., the Stellar Series two-piece clamp features a strong clamping method and comes with all necessary attaching hardware. It is quick, easy, and safe to install.

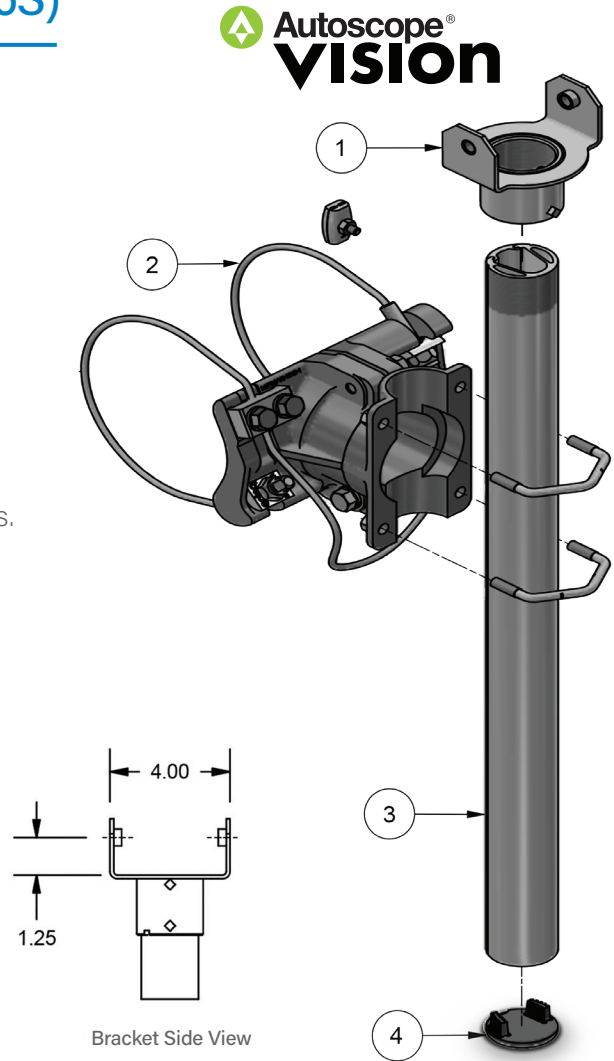
The medium duty, manually adjustable mounting bracket fits the Autoscope Vision camera sensors. The cable clamp accommodates various round or irregular-shaped mast arms. The turret rotates and allows the sensor to tilt down.

The Pelco assembly is a standard mounting bracket for Autoscope Vision camera sensors on horizontal or vertical mounting surfaces, such as a mast arm or luminaire arm.

### Optional upgrades

- SS - Stainless Steel cable on clamp kit
- PXX - Painted finish

DIMENSIONS			
Tube Length	Cable Length	Pole Max Diameter	Pole Max Dia w/ Ty-Back
74"	62"	7.0"	4.5"



ITEM	PART NUMBER	DESCRIPTION
1. Bracket	SH-0558-PXX	Weldmen camera bracket, 1-1/2" NPS for Autoscope Vision camera, aluminum
2. Clamp Kit	AS-3009-L-PXX	Astro-Brac, Stellar Clamp Kit, galvanized cable mount, aluminum
3. Tube	AB-2003-L-PXX	Gusseted tube with PVC insert, 1-1/2" TOE x length, aluminum
4. Tube Cap	AS-0398-P02	Black plastic

EXAMPLE PART NO.
SP-4126-74-62-PNC
SP-4126-74-62-SS-PXX

Tube Length \_\_\_\_\_  
 Cable Length \_\_\_\_\_  
 Stainless Steel Upgrade \_\_\_\_\_  
 Process No Color = PNC \_\_\_\_\_  
 Paint = PXX \_\_\_\_\_

Note: Reference the part numbers shown above to order variants of this configuration or individual pieces directly from **Pelco Products Inc.**