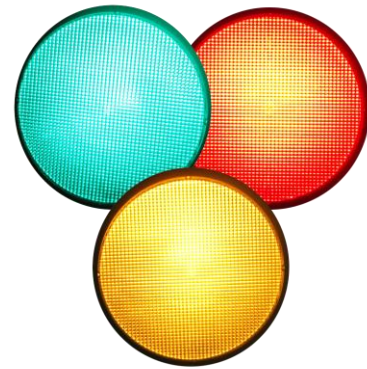
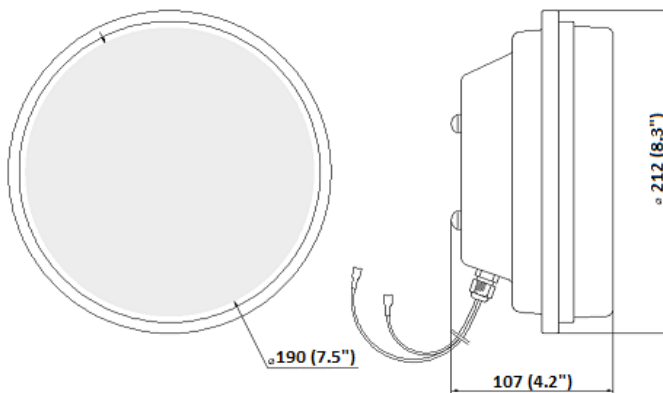


Certified by ISO9001 International Quality Control System

### JXC-200HF Series 8 inch LED Vehicular Lamps (Tinted)

#### Features & Specifications

- Compliance with latest ITE specifications
- Retrofit design & UV stabilized lens
- MIL-STD-883 mechanical vibration
- MIL-STD-810F moisture resistant
- Compliant to FCC Title 47
- Fully compatible with NEMA controllers/conflict monitors
- Uniform incandescent appearance with Hi-flux technology



| Model Number          | JXC-200HFR      | JXC-200HFY02    | JXC-200HFG      |
|-----------------------|-----------------|-----------------|-----------------|
| Size (mm)             | 200             | 200             | 200             |
| Color (nm)            | Red (626)       | Yellow (592)    | Green (505)     |
| Voltage (Typical)     | 120V - 60hz     | 120V - 60hz     | 120V - 60hz     |
| Voltage Range         | 80V - 135V      | 80V - 135V      | 80V - 135V      |
| Power (w) Typical     | 5               | 10              | 6               |
| Operation Temperature | -40°F to +165°F | -40°F to +165°F | -40°F to +165°F |
| Power Factor          | > 0.9           | > 0.9           | > 0.9           |
| T.H.D.                | < 20%           | < 20%           | < 20%           |

All characteristics, including visual characters, chromaticity, moisture and vibration resistance, electronic noise, transient protection, etc., are conformed to standards specified in ITE LED Vehicle Signal Modules.

For additional technical information or sales support regarding these and other LED products, please contact us at (972) 480-0888 or visit our website at [www.trastarusa.com](http://www.trastarusa.com).